



*Solutions for Professionals
and Home Entertainment*

Catalog *HD* 2019

Audio/Video distribution



Solutions for Professionals

EXTENDERS

Page 4



SWITCHES

Page 8



SPLITTERS

Page 10



MATRIXES

Page 14



VIDEO CONVERTERS

Page 18



AUDIO CONVERTERS

Page 21



TOSLINK CABLES

Page 23



HDMI CABLES

Page 24



ed Home Entertainment



VGA WORLD

Page 26



REMOTE CONTROL REPEATERS

Page 28



DVB-T AUDIO/VIDEO MODULATORS

Page 29



EXTENDERS *Pro*

Page 30



SWITCHES AND SPLITTERS *Pro*

Page 34



SPLITTERS RJ45 *Pro*

Page 36



MATRIXES *Pro*

Page 37

HDMI EXTENDERS

Kit with transmitter and receiver, amplifies the HDMI signal up to a maximum distance of **60m**. The HDMI splitter integrated in the Tx (loopout) allows the connection to the nearest TV: ideal solution for connecting a Sat or DVB-T decoder remotely and simultaneously with a proximity TV without the need for an upstream splitter and additional wiring. Integrates an IR remote control repeater.

HDMI SIGNAL EXTENDER

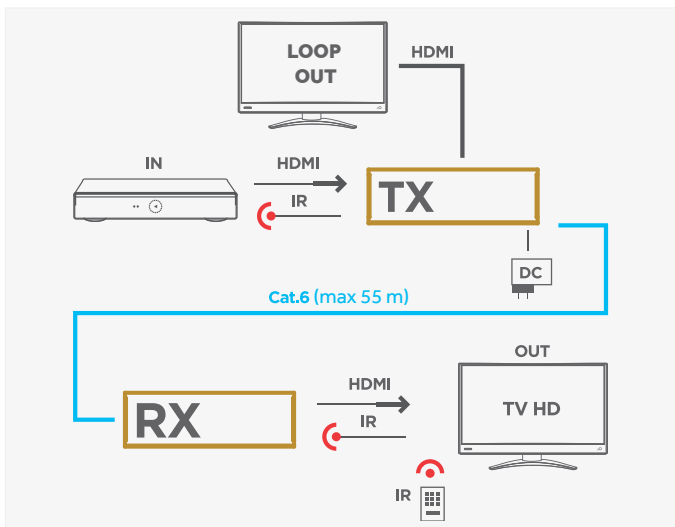
Ethernet cable 55m "POC" with HDMI pass-through port and remote control repeater



Kit with transmitter and receiver, amplifies the HDMI signal up to a maximum distance of 60m. The HDMI splitter integrated in the Tx (loopout) allows connection to the nearest TV: an ideal solution for connecting a Sat or DVB-T decoder remotely and simultaneously with a proximity TV, without the need for an upstream splitter and additional wiring. It integrates an IR remote control repeater.

POC (Power Over Cable) technology: it powers the receiver through the Ethernet extension cable.

DISTANCE	FULL HD	PASSING HDMI PORT	IR	BAND	POC
55m	1080			6,75 Gbps	



- Supports 1080p Full HD up to 55m
- Auto adjusted and auto equalized
- Supports bandwidth 2.25Gbps per channel (6.75Gbps in total)
- HDMI proximity splitter integrated in the transmitter
- POC (Power Over Cable) technology
- Supports 8bit deep color per channel (24bits in total)
- Supports LPCM, DTS Digital and Dolby Digital
- Supports IR 20 - 60KHz remote control repeater
- Supports HDMI cable max 5m input / 7m output
- Transmitter dimensions 66x66x16,8mm
- External 5Vdc 1A USB power supply

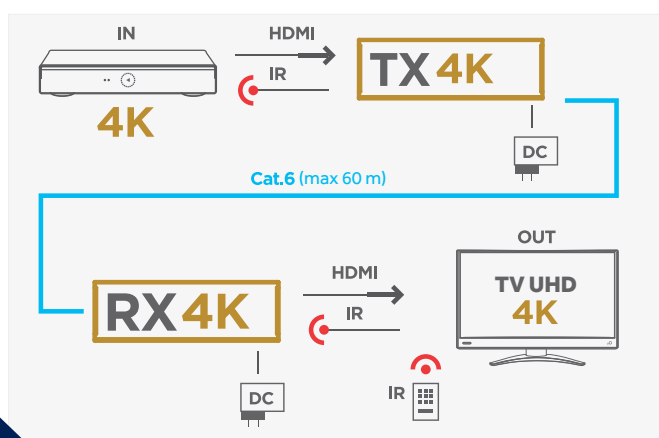
HDMI SIGNAL EXTENDER

4Kx2K@60Hz Ethernet cable 30/60m
with remote control repeater



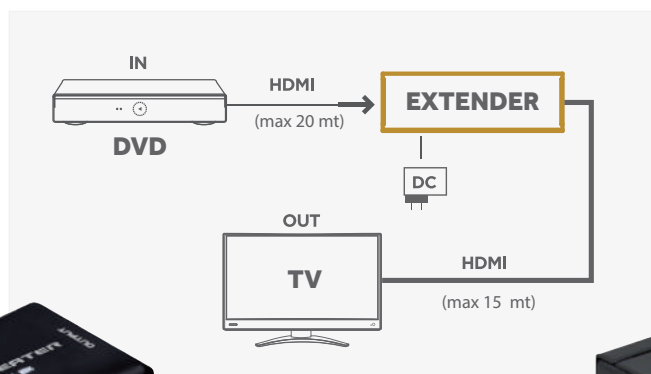
It amplifies the HDMI signal, sensitive to the dispersion due to the length of the cables and transfers it to a maximum distance of 30m with 4K@60Hz resolution on cat. 6 (60m for 4K@30Hz). It can be cascade installed with a splitter and incorporates an IR remote control repeater.

DISTANCE	ULTRA HD	BAND	
60m	4K	IR	10,2 Gbps



- Supports 4K@60Hz up to 30m, 4x 2K@30Hz up to 60m
- 3.4Gbps data transmission rate per channel (10.2Gbps in total)
- Supports deep color 12 bits per channel (36 bits in total)
- Supports 2 uncompressed LPCM audio channels
- Supports IR 20 - 60KHz remote control repeater
- 50/60Hz vertical frequency range
- Supports HDMI cable max 8m input and output
- Dimensions 77.5x56x23mm
- Weight 80g (x2)
- 5Vdc 1A (X2) external power supply

Code **14.2801.65**



HDMI SIGNAL EXTENDER

4Kx2K@30fps HDMI cable up to 35m

It amplifies the HDMI signal up to 35m. Supports 4Kx2K@30fps up to 2160p and 3D. 340MHz/3.4Gbps bandwidth per channel (10.2Gbps in total). It supports deep color at 12bit per channel (36bit in total). CEC compatible. It supports LPCM7.1 audio, Dolby Digital and DTS.

DISTANCE	ULTRA HD	3D	BAND	SPEED
35m	4K	3D	1,02 GHz	10,2 Gbps

Code **14.2800.21**



HDMI SIGNAL EXTENDER

With equalizer HDMI 35m cable

It amplifies the HDMI signal up to 35m. It supports 3D and Full HD 1080p. 2.25Gbps bandwidth per channel (6.75Gbps in total). It supports deep color at 12bit per channel (36bit in total). It supports LPCM audio, Dolby DTS HD and True HD. 10-level equalizer to control signal saturation. Metal shell for EMI attenuation.

DISTANCE	FULL HD	3D	BAND
35m	1080	3D	6,75 Gbps

Code **14.2800.53**

HDMI EXTENDERS

TCP/IP protocol adds further possibilities and flexibility to the HDMI signal extenders on an Ethernet cable. Using a normal network switch it is in fact possible to connect multiple receivers and extend the signal up to 130m. Furthermore the switches can be connected in cascade extending the signal, in theory, unlimitedly. Finally you can take advantage of existing LAN networks without the need for additional plant works. The IR remote control repeater controlling the source remotely completes the equipment.

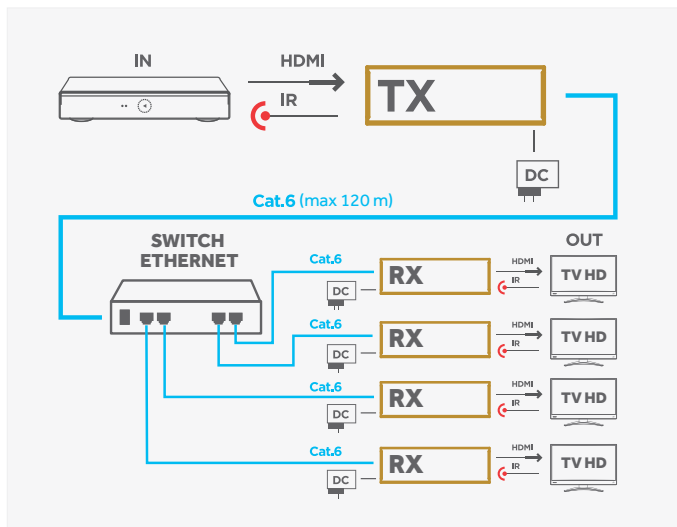
HDMI SIGNAL EXTENDER

TCP/IP HDbiT Ethernet cable 120m and remote control repeater



Kit with transmitter and receiver, it amplifies the HDMI signal up to a maximum distance of 120m with the HDbiT TCP/IP technology, which allows its use coupled with an Ethernet router or switch, with multiple receivers. It is possible to use multiple ethernet switches in cascade to further extend the signal range. It uses a single network cable. It can be used in cascade with a splitter and incorporates an IR remote control repeater.

DISTANCE	FULL HD	MULTIPLE RECEIVERS	IR	TCP/IP	BAND
120m	1080				10,2 Gbps



- Supports IEEE-568B standard
- Supports Full HD 1080p @ 30Hz and 3D up to 120m
- Auto adjusted and auto equalized
- Supports 3.4Gbps bandwidth per channel (10.2Gbps in total)
- Supports deep color 8 bits per channel (24 bits in total)
- Supports LPCM, DTS Digital and Dolby Digital
- Supports IR 20 - 60KHz remote control repeater
- Supports HDMI cable max 5m input / 7m output
- Dimensions 97x94x24mm
- Additional receivers Code 14.2800.38

PLC, PowerLine Communications, or conveyed waves technology, allows domestic and professional LAN networks to be easily and cost-effectively expanded. Now this technology is also available for extending the HDMI signal. Apart from the short HDMI cables to be connected to the source and to the display, no wiring is necessary: it is sufficient to have two electrical sockets to connect the transmitter and receiver and have HD contents anywhere within a 300mt radius. The equipment is completed by the HDMI connection (loopout) on the transmitter through a proximity or control display, by the IR remote control repeater to control the source remotely and, in the top models, by the possibility of connecting up to 4 receivers.

HDMI SIGNAL EXTENDER

POWERLINE 300m with remote control repeater



Kit with transmitter and receiver, it amplifies the long-distance HDMI signal with Powerline technology, which transmits it through conveyed waves using the existing power line: no other wiring is needed; all you need is an electrical socket next to the receiving HD TV. For domestic and professional uses. The HDMI splitter integrated in the Tx (loopout) allowing the connection to the nearest TV: the ideal solution for connecting Sat or DVB-T decoders remotely and simultaneously to a proximity TV without the need for an upstream splitter and additional wiring. It integrates an IR remote control repeater. Each transmitter supports up to 4 receivers and vice versa.

FULL HD

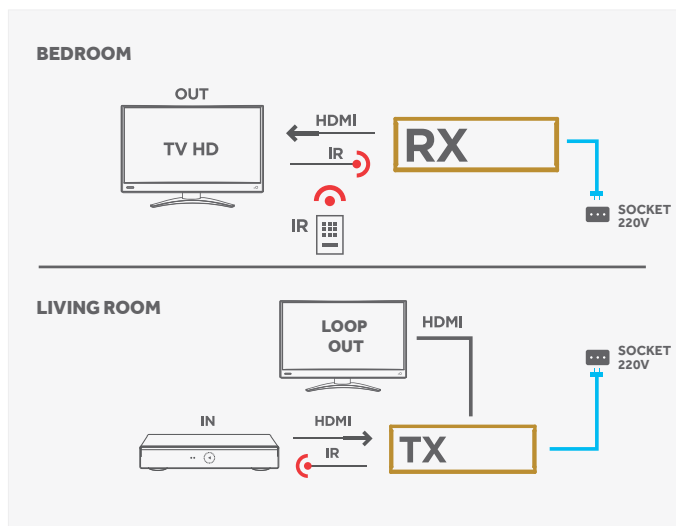
1080

PASS-THROUGH
HDMI
PORT

IR

POWERLINE

BAND

6,75
Gbps300
mts

- Supports 1080p @ 24fps Full HD in a range of 300mts
- Supports bandwidth 2.25Gbps per channel (6.75Gbps in total)
- HDMI proximity splitter integrated in the transmitter
- Supports 8bit deep color per channel (24bit in total)
- Supports LPCM
- Supports 36/38 - 56KHz IR remote control repeater
- Supports HDMI cable max 3mt input / 2mt output
- Dimensions 170x120x50mms

HDMI SWITCHES

The latest HD TVs have got 4 HDMI ports. However the tendency to make our homes and our work increasingly smart means that HDMI ports are never enough, in a domestic or professional environment. The HDMI switches allow you to connect and manage multiple HDMI sources on a single receiving port, without the need to connect and disconnect each time. You can connect up to 4 HDMI sources and also have the convenient PIP technology to preview the connected sources.

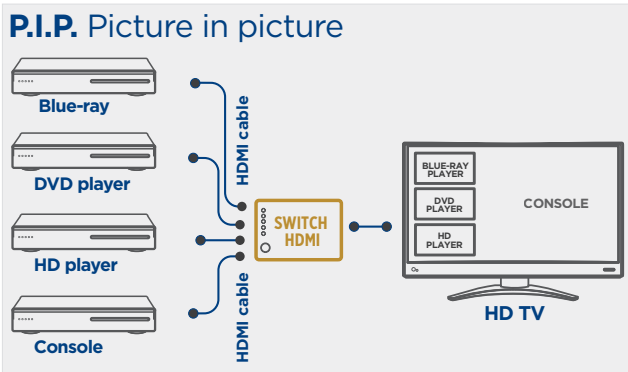
HDMI SWITCH

4x UHD TV 4Kx2K inputs@30Hz with P.I.P. function



INPUTS **4**
ULTRA HD **4K**
PIP
BAND **9 Gbps**

You can connect up to 4 high definition devices (Decoder, Blu-ray, etc.) to a single HDMI port on your TV using this 4-input HDMI switch with PIP (Picture in Picture) function. The PIP function allows you to preview the connected sources as well as the one displayed on the screen and then select the one of your interest. It has got a manual sequential selection button on the switch itself to switch from one source to the other one and a remote control for direct control of the switch, including the PIP function. It supports 4K x 2K definitions @ 30fps up to 2160p and 3D.



- IEEE-568B standard.
- Supports a max amplitude band of 3Gbps/300MHz per channel (9Gbps total).
- Supports deep color at 12bit per channel (36bit in total).
- PIP function
- Remote control supplied
- Supports 2 uncompressed LPCM audio channels
- Supports DTS-HD and Dolby True-HD
- 5Vdc 1A external power supply
- Supports CEC
- Supports HDMI cables max 5mt input/output
- Dimensions 81x58x18mms

Code **14.2800.49**

HDMI SWITCH

2x UHD TV Inputs 4K@60HZ HDR



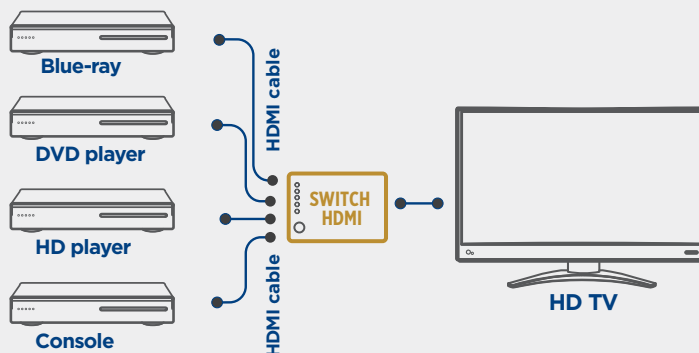
INPUTS **2**
ULTRA HD **4K**
3D
BAND **6 Gbps**

It allows you to connect 2 UHD 4K @ 60HZ HDR devices to the TV (SkyQ, PS4pro) using the HDMI input in HDR. No need for power supply, metal body. It allows you to connect products with different resolutions and view them on the TV; Manual key for selecting the input in switch mode. It supports HDR and resolution up to 2160p, it supports 4: 4: 4 color sampling

- Max resolution UHD TV 4Kx2K at 3840x2160 @ 60Hz
- Sub-sampling YUV 4:4:4
- 6Gbps/600MHz bandwidth per channel (18Gbps totally)
- Deep Color 12bit per channel (36bit totally)
- Supports DTS-HD/Dolby-trueHD audio and uncompressed LPCM
- Supports HDMI cables max 5mt input/output

Code **14.2800.61**

GENERAL CONNECTION SCHEME FOR HDMI SWITCHES



HDMI SWITCH

3x UHD TV 4Kx2K inputs@30Hz



It connects 3 UHD-TV 4Kx2K devices @30Hz to a single HDMI port on your HD TV. Compatible with UHD 4K, with 9Gbps bandwidth. Compact pigtail format with integrated HDMI 50cm cable. Micro USB port for additional power supply.

- Manual selection button
- 3Gbps/300MHz band per channel (9Gbps in total)
- Supports Full HD and 3D
- Supports 12bit deep color per channel (36bit in total)
- Supports DTS-HD / Dolby True HD digital audio
- Supports HDCP
- Dimensions 83x15x75mms

INPUTS	ULTRA HD	BAND
3	4K	9 Gbps

Code **14.2800.43**

HDMI SWITCH

3x UHD TV 4Kx2K inputs@30Hz
Compact



It connects 3 UHD-TV 4Kx2K devices @ 30Hz to a single HDMI port on your TV. UHD 4K compatible, with 10.2Gbps bandwidth. "MINI" format. Operation in 2 modes: "Smart" when the connected sources are switched on / off (with priority sequence input1 / input2 / input3); Select sequential button.

- Manual selection button
- Resolutions: 4Kx2K/1080p/1080i/720p/576p/576i/480p/480i
- 3.2Gbps/340MHz band per channel (10.2Gbps in total)
- Supports Full HD and 3D
- Supports Deep Color 12bit per channel (36bit total)
- Supports DTS-HD / Dolby True HD digital audio
- Supports HDCP
- Supports CEC pass through
- Dimensions 50x50x10mms

INPUTS	ULTRA HD	BAND
3	4K	10,2 Gbps

Code **14.2800.48**

HDMI SPLITTERS

For both recreational and professional needs it is often interesting to view the same image in high definition on multiple displays simultaneously. Using an HDMI splitter, you can have a maximum of 16 output ports (but you can also use cascade splitters to increase the number of outputs).

HDMI SPLITTER

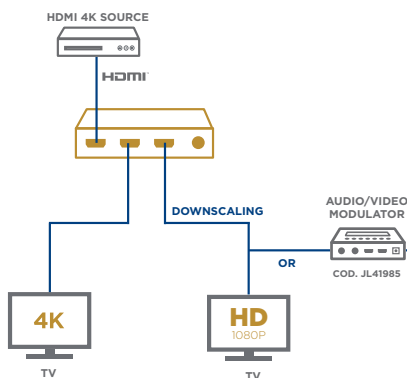
4K UHD TV 4K@60Hz HDR and DOWNSCALING

HDMI Splitter perfectly compatible with UHD 4K@60HZ specifications, it reaches 2160p resolution with fundamental HDR support

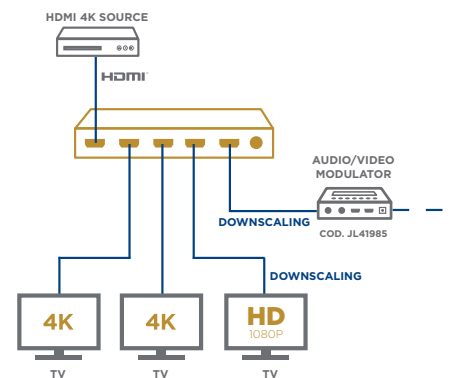
for latest generation consoles and decoders (SkyQ, Ps4Pro, etc. ..). Total bandwidth 18Gbps, it supports HDCP 2.2. It supports HDR 10, subsampling YUV 4:4:4; EDID management.

Downscaling function allows displaying the same native 4K source simultaneously on two monitors with different resolutions, so for example monitor 1 keeps 4K and monitor 2 displays at 1080p; this use is very important for those who use signal modulators and at the same time don't want to lose the ultra definition at 4K UHD.

It can be connected in output to an HDMI signal extender on Ethernet or to a modulator in cascade; fully Plug & Play, metal shell.



- Max resolution UHD TV 4Kx2K at 3840x2160 @ 60Hz
- Sub-sampling YUV 4:4:4
- 6Gbps/600MHz bandwidth per channel (18Gbps totally)
- Deep Color 12bit per channel (36bit totally)
- Supports DTS-HD/Dolby-trueHD audio and uncompressed LPCM
- Supports HDMI cables max 5mt input/output



OUTPUTS **2** ULTRA HD **4K** **DOWNSCALING**

Code 14.2811.00

OUTPUTS **4** ULTRA HD **4K** **DOWNSCALING**

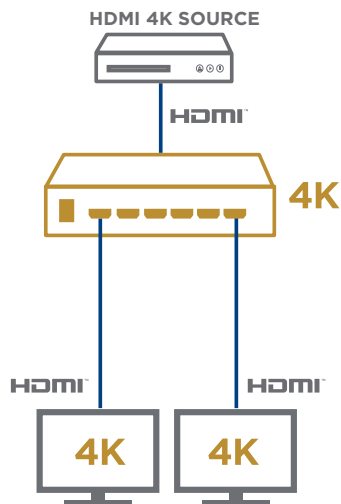
Code 14.2811.10

HDMI SPLITTER

4K UHD TV 4K@60Hz HDR

SHDMI Splitter perfectly compatible with UHD 4K@60HZ specifications, it reaches 2160p resolution with fundamental HDR support

for latest generation consoles and decoders (SkyQ, Ps4Pro, etc. ...) Total bandwidth 18Gbps, it supports HDCP 2.2. It supports HDR 10, subsampling YUV 4:4:4; EDID management.



- Max resolution UHD TV 4Kx2K at 3840x2160 @ 60Hz
- Sub-sampling YUV 4:4:4
- 6Gbps/600MHz bandwidth per channel (18Gbps totally)
- Deep Color 12bit per channel (36bit totally)
- Supports DTS-HD/Dolby-trueHD audio and uncompressed LPCM
- Supports HDMI cables max 5mt input/output



OUTPUTS 2
ULTRA HD 4K

Code 14.2810.23

OUTPUTS 4
ULTRA HD 4K

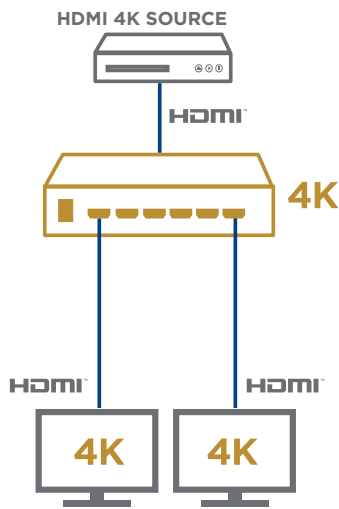
Code 14.2810.24

HDMI SPLITTERS

HDMI SPLITTER

4K UHD TV 4Kx2K@30Hz

HDMI splitter totally adherent to the UHD 4Kx2K specifications, with Full 3D support for all formats and for the new, spectacular ultra high definition with 3840x2160p resolution at 8 million pixels, four times the Full HD standard (1920x1080p). It supports 4Kx2K @ 30Hz at 340MHz. It supports Full HD at 25fps. Total bandwidth 10.2Gbps. It supports DTS-HD/Dolby-trueHD. It supports Deep Color at 36Bit and HDCP 1.3. Totally Plug & Play.



- Supports UHD 4Kx2K @ 30Hz, Full 3D and Full HD 1080p
- Supports HDCP 1.3 pass through
- 3.4Gbps bandwidth per channel (10.2Gbps in total)
- Supports deep color 12 bits per channel (36 bits in total)
- Supports LPCM, DTS Digital and Dolby Digital



OUTPUTS **2** ULTRA HD **4K** 75x48x15 mms

Code **14.2810.17**



OUTPUTS **4** ULTRA HD **4K** 145x65x20 mms

Code **14.2810.18**



OUTPUTS **8** ULTRA HD **4K** 75x48x15 mms

HDMI™
HIGH SPEED
with ETHERNET

Code **14.2810.07**



OUTPUTS **16** ULTRA HD **4K** 200x75x30 mms

HDMI™
HIGH SPEED
with ETHERNET

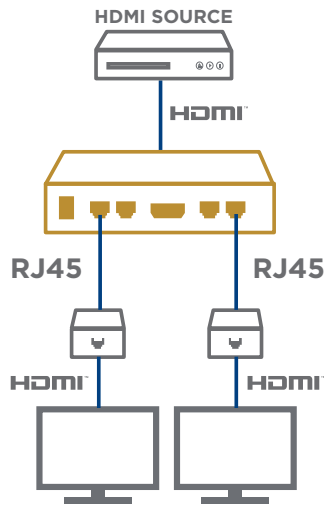
Code **14.2810.09**

RJ45 HDMI SPLITTER

HDMI SPLITTER

With ethernet cable signal extender (50mts)

2 in 1 kit: it views the contents of a Full HD 1080p 3D source on multiple HD TVs and amplifies them for long-distance transmission. 2.25Gbps bandwidth at 225Mhz frequency. It integrates a signal extender on Cat 6 Ethernet cable up to 50mts. The transmitter splitter and the receivers are included in the kits. For domestic and professional use, in large stores, fairs, events, conference rooms etc.



- Kit consisting of Tx with built-in extender and 2 receivers
- 2.25Gbps/225Mhz band per channel (6.75Gbps in total).
- Supports Full HD 1080p and 3D
- Supports 12bit deep color per channel (36bit in total)
- Digital audio format, DTS-HD/Dolby-trueHD and LPCM
- Maximum distance with Cat. 6 50m cable
- Supports HDCP 2.2
- Receivers size 75x65x23 mms

	FULL HD	DISTANCE	BAND
3D	1080	50m	6,75 Gbps



RECEIVERS	TRANSMITTERS
2	1
↖ ↗ ↙ ↘ 100x65x25 mm	

Code **14.2810.25**



RECEIVERS	TRANSMITTERS
8	1
↖ ↗ ↙ ↘ 380x75x30 mms	

Code **14.2810.35**

HDMI MATRIX

The matrixes combine the functions of switches and splitters in a single device, giving the possibility to mix inputs and outputs according to one's needs.

The matrixes are divided into 2 categories:

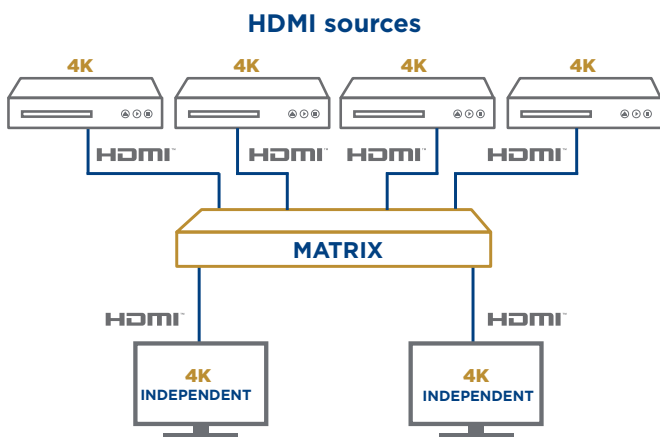
- "True Matrix" able to combine inputs and outputs independently so that each screen can display a different input
- "False Matrix" you can view one input at a time on each screen

HDMI MATRIX

4 Inputs 2 Outputs 4K "True Matrix"



This HDMI digital multimedia unit for professional and home use allows the complete control of your high definition devices. The 4 inputs and 2 outputs are independent and allow you to view 4 different images on 2 UHD TVs in reception. All combinations are possible ("True Matrix" function). It supports UHD TV 4Kx2K @ 30fps and 3D "all format". It supports 36bit Deep Color. 6.75Gbps bandwidth. Remote control and power pack included.



- 4 HDMI inputs and 2 independent HDMI outputs
- 2.25Gbps/225MHz band per channel (6.75 in total)
- Supports 4Kx2K @ 30fps UHD TV
- Supports 12-bit deep color per channel (36 bits in total)
- Digital audio format, DTS-HD/Dolby-trueHD and LPCM
- Supports HDCP
- Dimensions 260x110x25 mm

FULL HD	ULTRA HD	BAND
3D	1080	4K
		6,75 Gbps

INPUTS	OUTPUTS
4	2

HDMI MATRIX

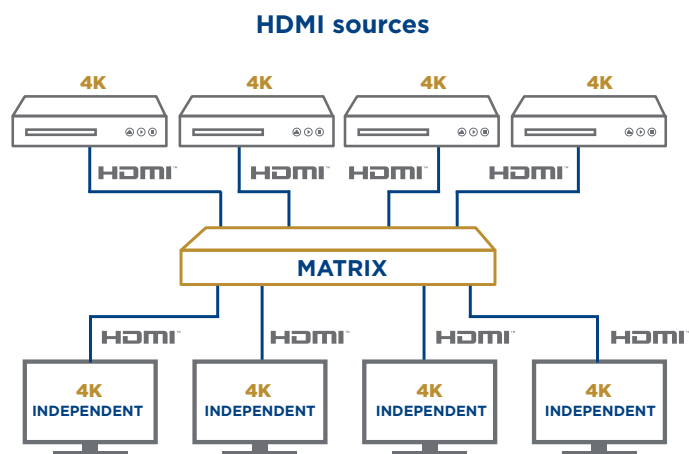
2 Inputs 4 Outputs 4K “True Matrix”



This HDMI digital multimedia unit for professional and home use allows the complete control of your high definition devices. The 2 inputs and 4 outputs are independent and allow you to view 4 different images on 4 UHD TVs in reception. All combinations are possible (“True Matrix” function). Remote control and power pack included.

	FULL HD	ULTRA HD	BAND
3D	1080	4K	6,75 Gbps

INPUTS	OUTPUTS
2	4



- 2 HDMI inputs and 4 independent HDMI outputs
- 2.25Gbps/225MHz band per channel (6.75 in total)
- Supports 4Kx2K @ 30fps UHD TV
- Supports 12-bit deep color per channel (36 bits in total)
- Digital audio format, DTS-HD/Dolby-trueHD and LPCM
- Supports HDCP
- Dimensions 275x150x30 mms

4K HDMI MATRIX

HDMI MATRIX

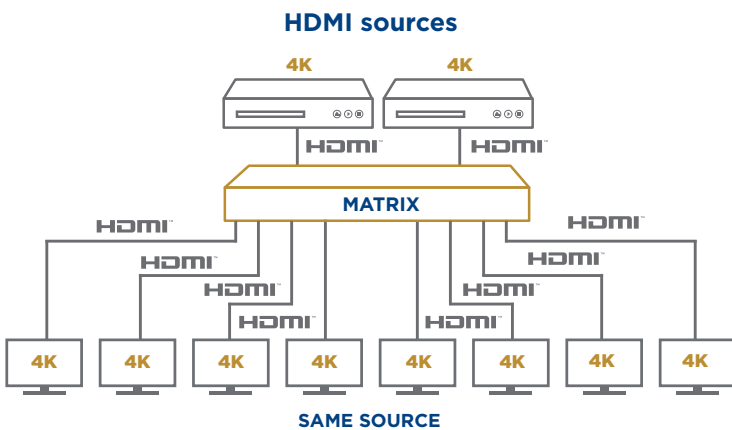
2 Inputs 8 Outputs 4K “False Matrix”



This HDMI digital multimedia unit for professional and home use allows the complete control of your high definition devices. You can view one of the UHD sources at a time connected to the 2 inputs on up to 8 4K UHD TVs (“False Matrix”). Remote control and power pack included.

	FULL HD	ULTRA HD	BAND
3D	1080	4K	9,6 Gbps

INPUTS	OUTPUTS
2	8



- 2 HDMI inputs and 8 HDMI outputs
- Supports 4Kx2K @ 30Hz UHD TV
- Supports 12-bit deep color per channel (36 bits in total)
- Supports 3D and Full HD 1080p
- Supports HDCP
- Supports 3.2Gbps/320MHz bandwidth
- Maximum ease of installation
- 12Vdc 2A power pack
- Dimensions 278x136x24 mms

HDMI MATRIX

2 Inputs 4 Outputs 4K “True Matrix”

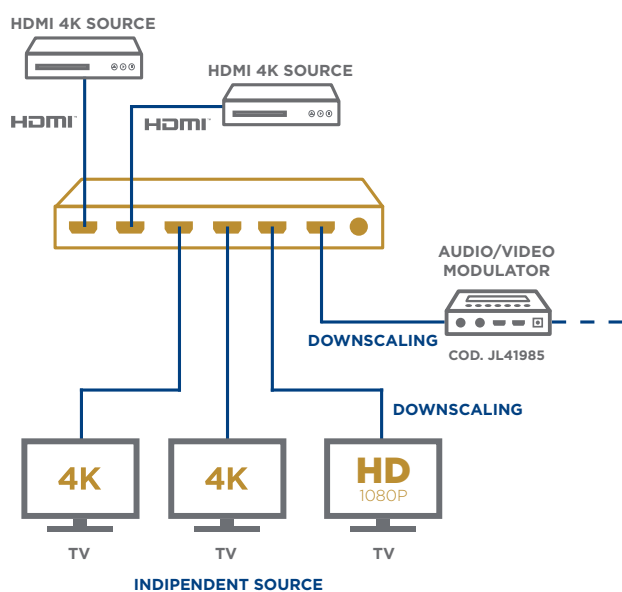


This splitter/switch for professional and domestic use can distribute one of the two HDMI inputs to four outputs, the input selection can be done automatically or can be selected manually.

The splitter supports HDMI video resolution up to 4K @ 60Hz 4: 4: 4, 1080P, 3D and multi-channel audio formats, it also integrates an audio output of the digital HDMI source in stereo analog L/R format and Toslink SPDIF audio. The resolution can be customized using several integrated EDID settings that can be selected from the DIP switch.

	FULL HD	ULTRA HD	BAND
3D	1080	4K	18 Gbps

INPUTS	OUTPUTS
2	4

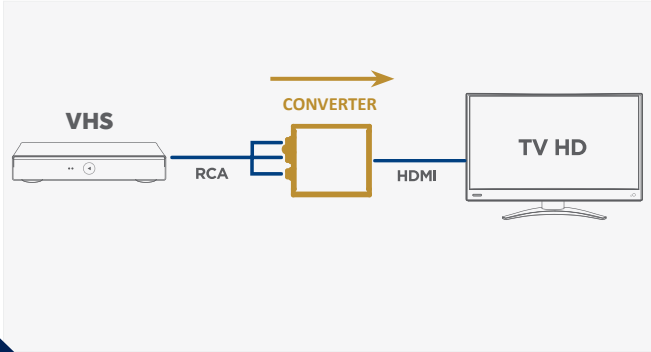


- Supports HDMI 2.0 and video resolutions up to 4k 60Hz 4: 4: 4 8bit or 4: 2: 0 12bit
- Supports HDCP 2.2 signal inputs
- Supports HDR
- Pass-through band 18Gbps
- Analog audio output through RCA L/R and Toslink optical output
- Supports CEC power supply for automatism
- Audio formats recognized through HDMI: LPCM 7.1 audio, Dolby Atmos®, Dolby® TrueHD, Dolby Digital® Plus, DTS: X™ and DTS-HD® Master Audio™ pass-through.
- Audio formats recognized through Toslink output: PCM, Dolby Digital, DTS, DTS-HD

HDMI CONVERTERS



MINI CONVERTER AV RCA -> HDMI



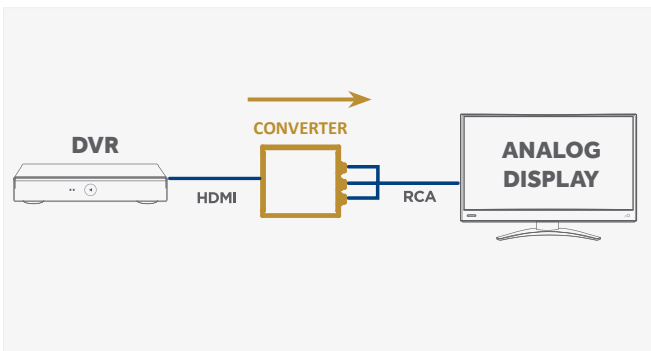
Extremely small AV RCA/HDMI converter (60x56x21mms, weight 45gms). It supports HDMI output at 720p and 1080p (selectable) transforming the interlaced signal into a progressive signal. Upscaling up to 1080p

- Input 3 x RCA AV 480i / 576i + R/L Stereo
- Output 1 x HDMI 1080p / 720p

Code **14.2800.91**



CONVERTER HDMI -> AV RCA



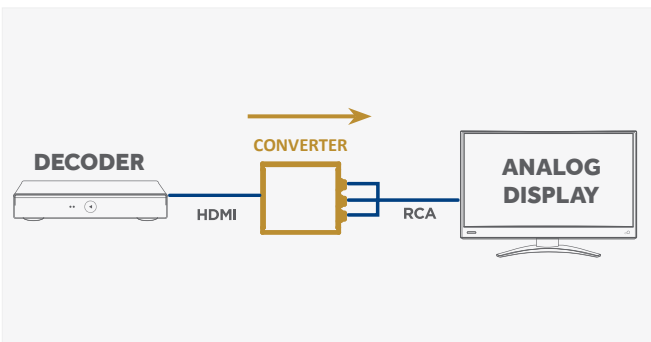
Convert the HDMI signal to RCA with this USB-powered adapter (power pack not included). Particularly recommended for use with Video Surveillance DVRs. Downscaling up to 576i or 480p in output.

- Input 1 x HDMI 1080p
- Output 3 x RCA AV 480i / 576i + R/L Stereo

Code **14.2810.56**



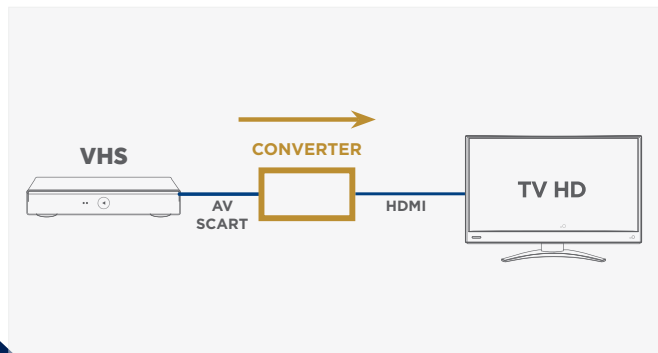
CONVERTER HDMI -> RCA CABLE



Convert the HDMI signal into AV RCA with this USB-powered adapter (power supply NOT included). Connect Blu-ray players or game consoles to the traditional analog displays. RCA Stereo Audio Outputs. It supports 576i or 480p in output.

- Input 1 x HDMI 1080p
- Output 3 x RCA AV 480i / 576i + R/L Stereo

Code **14.2810.55**

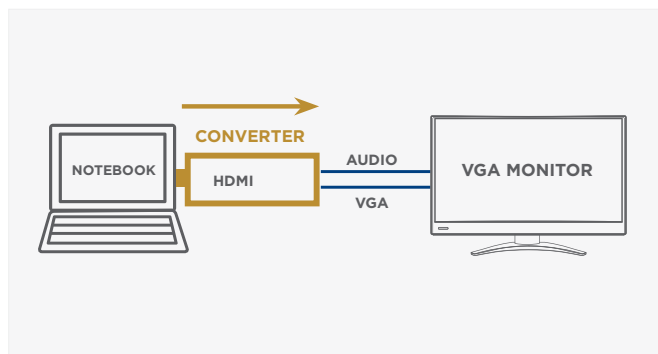


CONVERTER

AV SCART -> HDMI

It directly converts the AV signal from a source with SCART output without the need for adapters, to HDMI for the connection to a latest generation display. It supports HDMI output at 720p and 1080p (selectable) transforming the interlaced signal into a progressive signal. 1.65Gbps bandwidth.

Code **14.2800.92**

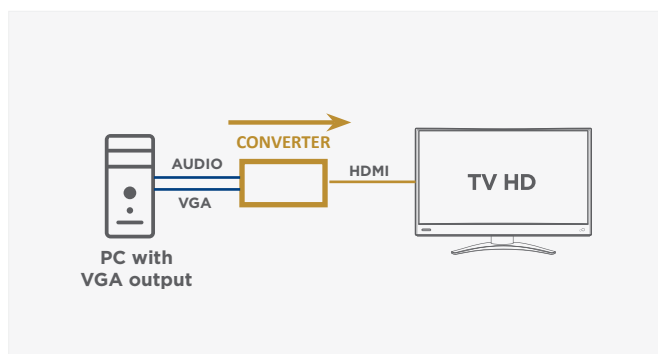


MICRO CONVERTER

HDMI -> VGA with audio

- HDMI input, VGA output and 3.5mm stereo audio
- Supports HDMI up to 1080p@60Hz, 165MHz/1.65Gbps band per channel (6.75Gbps in total)
- Supports VGA resolutions up to 1080p@60Hz
- Supports analog audio format
- Supports "bus power supply" up to 2W (no power supply required)

Code **14.2800.23**



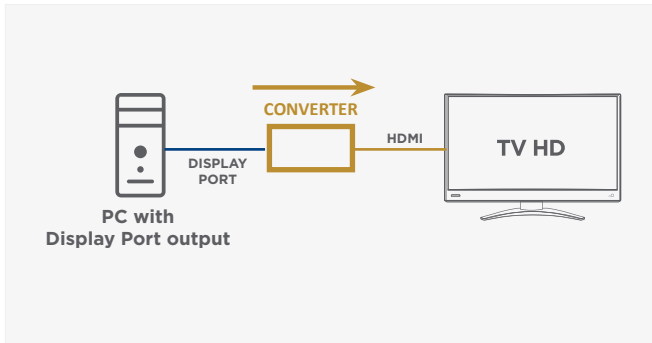
CONVERTER

VGA+USB AUDIO -> HDMI

It converts VGA signal from PC to HDMI. USB audio connector routed to HDMI output and for power supply. It supports VGA up to 1280x1024. It views the image of a PC on HDMI TV/Video projectors with sound converted to digital. Ideal for presentations.

Code **14.2800.96**

HDMI CONVERTERS

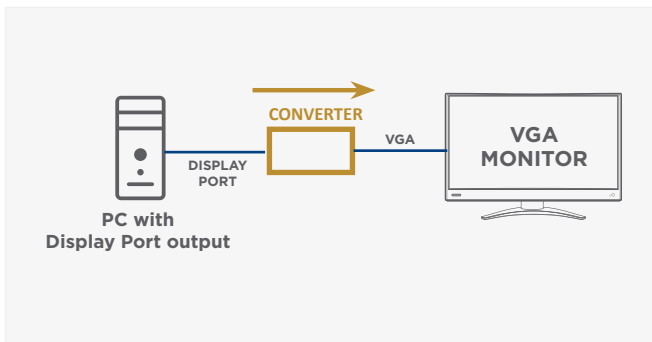


CONVERTER

DISPLAYPORT -> HDMI

It converts the signal from a DisplayPort (DP) source to HDMI. It therefore allows you to connect the source to a display with a digital HDMI input. In devices supporting this function it also carries the audio signal.

Code **14.2850.95**



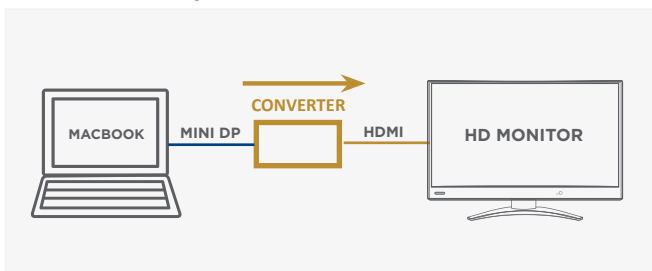
CONVERTER

DISPLAYPORT -> VGA

It connects the PC/Notebook to a normal PC monitor or video projector with VGA input using a simple VGA cable (not included).

- it is possible to use two monitors at the same time (only if supported by video card).
- Supports PC resolutions up to QXGA (2048 x 1536)
- Supports 1080p video resolutions
- 10.2Gbps bandwidth
- Cable length 15cms.

Code **14.2851.07**



CONVERTER

MINI DISPLAYPORT -> HDMI

It connects the Apple NoteBook to an HDMI cable for the connection to HD TVs/Monitors with the latest generation HDMI input. Length 15cms.

Code **14.2851.05**

TOSLINK AUDIO DIGITAL

The digital audio signal has an unprecedented quality, sometimes it must be converted into analog without losing quality. This is why at GBC you can find a range of cables and converters allowing the connection to Amplifiers, Home Cinema Systems and Stereo Headphones. Because the high definition show is not complete without an audio up to par.

AUDIO CONVERTER

Digital -> Bluetooth with RX/TX function

DACA PRO



DACA PRO is a digital to Bluetooth signal converter allowing you to use, for example, bluetooth wireless headphones with an HD TV. Or thanks to the receiver function it allows you to transmit music from Bluetooth devices (smartphones/tablets) to the home audio system through bluetooth wireless.

Bluetooth version: V4.1, Class II
 Bluetooth RX profile: A2DP, AVRCP
 Bluetooth profile TX: A2DP

Dual audio stream (TX mode): simultaneous transmission of two wireless streams

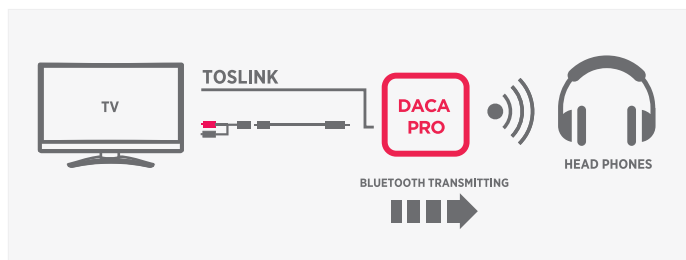
Double connection (RX mode): it supports connection to two smartphones

Battery: 3.7V 300mAh lithium

Battery autonomy: max 15 hours

Charging time: 2 hours

Power supply: 5Vcc microUSB (not included)

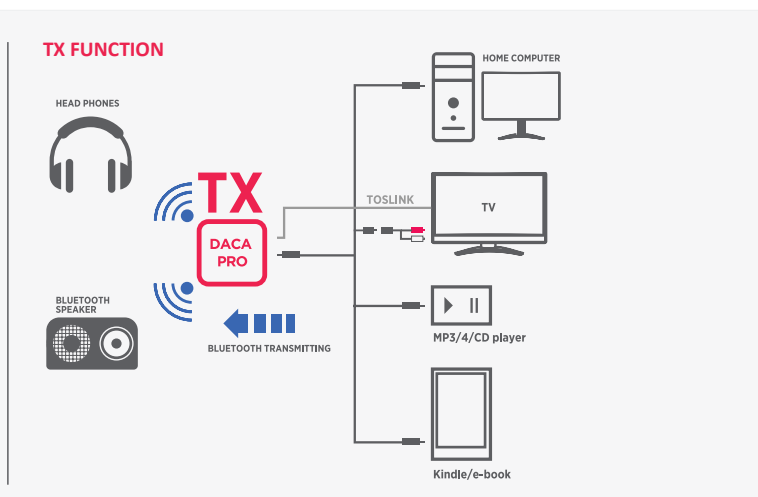
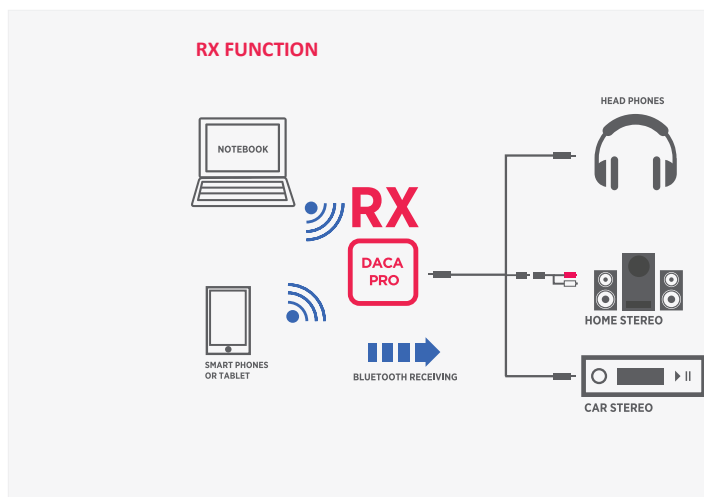


BLUETOOTH

DIGITAL
IN
OUT

BATTERY

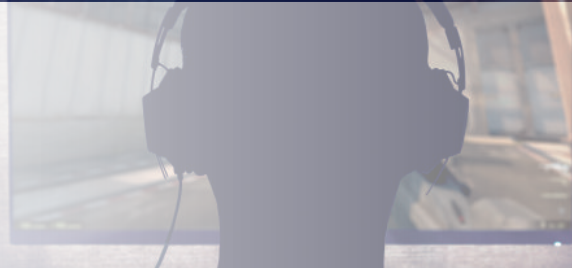
SPDIF
TOSLINK



TOSLINK AUDIO DIGITAL

AUDIO CONVERTER

Digital -> Analog with amplifier for headphones



Digital/Analog audio converter with headphone amplifier (25mW x2 @ 16Ω, 22mW x2 @ 32Ω) and volume control. Toslink and Coax inputs, RCA outputs (not amplified) for Home Theater and 3.5mm stereo amplified for headphones. Sampling frequency 32, 44.1, 48, 96 and 192KHz.

VOLUME

DIGITAL
IN
OUT

HEADPHONES
AMPLIFIER

SPDIF
TOSLINK



Amplification	25mW x2 @ 16Ω, 22mW x2 @ 32Ω
Signal / noise ratio	>95 dB
Total harmonic distortion	<0,008%
Frequency response	20Hz - 20KHz
Output impedance	50 Ohm
Dynamic range	>95 dB
Dimensions	84x63x28 mm
Weight	140 gms

Code **14.2550.64**

AUDIO CONVERTER

Digital-> Analog RCA or 3,5mm



It converts digital stereo input audio signals (Toslink or Coax RCA) into analog audio RCA L/R and 3.5mm stereo jack signals.

It is therefore perfect for listening through headphones to the sound of the latest generation televisions equipped with digital output only.

Power pack supplied.

- Converts Coaxial digital audio signals or Toslink analog audio RCA L/R and 3.5mm stereo jack
- Supports sample rates of 32, 44.1, 48 and 96 KHz.
- Supports a 24-bit S/PDIF stream bit on the left and right channel.

Code **14.2550.70**

AUDIO CONVERTER

Dolby Digital-> Analog RCA or 3,5mm



It converts input digital stereo DOLBY SURROUND audio signals (Toslink or Coax RCA) into output analog audio RCA L/R and 3.5mm stereo jack signals.

It is therefore perfect for listening through headphones to the sound of the latest generation televisions equipped with digital output only. It supports DTS and Dolby and it is therefore perfect for high definition and 4K TV channels. Power pack supplied.

- Converts Coaxial digital audio signals or Toslink analog audio RCA L/R and 3.5mm stereo jack
- Supports sample rates of 32, 44.1, 48, 96 and 192 KHz.
- Supports a 24-bit S/PDIF stream bit on the left and right channel.
- Supports DTS/Dolby.

Code **14.2550.75**

AUDIO DIGITAL SPLITTER

TOSLINK 3 OUTPUTS



Active SPDIF/TOSLINK digital audio splitter, it sends optical audio signals from 1 source such as satellite receivers, Blu-ray players, PCs, PS3s, LED TVs and similar to 3 amplifiers/receivers, digital audio headphones with Toslink input. It provides a clean and accurate sound without any distortions or interferences.

It supports uncompressed LPCM channels, multichannel Dolby and DTS (LPCM2.0/DTS/Dolby-AC3). It supports Signal Retiming. It uses optical cables with signal loss of less than 0.2dB/mt up to 40mts. 2A power pack supplied.

Code **14.2500.10**

Toslink Cable

Toslink T -- T optic fiber digital audio cable



Optic fiber	PMMA Ø 1mm
Shielding	PE 2,2mms
Diameter	5 mms
Package	blister

Code	Length
14.2550.00	1,5 mts
14.2550.05	5 mts

TOSLINK

High End Toslink Cable

Toslink T -- T optic fiber digital audio cable with metal connectors.



Optic fiber	PMMA Ø 1mm
Shielding	PE 2,2mms
Diameter	5 mms
Connector	Metal
Package	blister

Code	Length
14.2550.10	1 mt
14.2550.55	3 mts
14.2550.15	10 mts

TOSLINK

METAL

HDMI CABLES

High Speed with Ethernet “HD Home Series” HDMI Cable

HDMI HEAC cables with ARC channel for 4K UHD TV, SAT and DVB-T2 decoder and console; with ECCM function to avoid audio interferences.

Plugs	A - A
Connectors	Plastics/Gold
Assembling	Die-cast
Sheath	PVC
Shielding	16x5x0.12mmAL-Mg braid
Definition	4K 60fps
Banda	18Gbps
Conductor	CCS

Code	Length	Definition	Band	Conductor	Packaging
14.2851.95	1 m	4K 60fps	18Gbps	CCS	Blister
14.2852.00	2 m	4K 60fps	18Gbps	CCS	Blister
14.2852.03	3 m	4K 60fps	18Gbps	CCS	Blister
14.2852.05	5 m	4K 60fps	18Gbps	CCS	Blister
14.2852.10	10 m	4K 30fps	10Gbps	CCS	Blister
14.2851.96	1 m	4K 60fps	18Gbps	CCS	Polybag
14.2852.01	2 m	4K 60fps	18Gbps	CCS	Polybag
14.2852.04	3 m	4K 60fps	18Gbps	CCS	Polybag
14.2852.06	5 m	4K 60fps	18Gbps	CCS	Polybag



HDMI™
HIGH SPEED
with **ETHERNET**



High Speed with Ethernet “HD Video Series” HDMI Cable

High Quality HEAC HDMI cables with copper conductor (max 10mts), ARC channel, for 4K UHD TV, SAT and DVB-T2 decoder and console; with ECCM function to avoid audio interferences.

Code	Length	Definition	Band	Conductor
14.2852.45	0,5 m	4K 60fps	18Gbps	Copper
14.2852.50	1 m	4K 60fps	18Gbps	Copper
14.2852.60	2 m	4K 60fps	18Gbps	Copper
14.2852.63	3 m	4K 60fps	18Gbps	Copper
14.2852.65	5 m	4K 60fps	18Gbps	Copper
14.2852.70	10 m	4K 30fps	10Gbps	Copper
14.2852.75	15 m	4K 30fps	10Gbps	CCS
14.2852.80	20 m	4K 30fps	10Gbps	CCS

Plugs	A - A
Connectors	Plastics/Gold
Assembling	Die-cast
Sheath	PVC
Shielding	16x5x0.12mmAL-Mg braid
Packaging	Blister



HDMI™
HIGH SPEED
with **ETHERNET**



High Speed HDMI cable with ethernet AOC Active Hybrid Fiber

HDMI HEAC AOC active directional hybrid cable in optic fiber. It supports 4Kx2K@60Hz UHD TVs. An A connector and a micro D connector with D -> A adapter to facilitate the passage of the cable in the cable covers. 4.8mm diameter. The glass fiber also has a high resistance to electromagnetic interferences, thus protecting the quality of the signal. The cable structure is designed to transmit the long distance 4K HDMI signal and at the same time to facilitate the laying of the cable in the cable covers.



Plugs	A - D+A
Connectors	Gold metal in zinc alloy
Assembling	die-cast / assembled, with adapter
Length	30 mts
Definition	4K@60fps

BAND 18 Gbps	FIBER	ULTRA HD 4K	DIAMETER 4,8mm	LENGTH 30m
------------------------	-------	-----------------------	--------------------------	----------------------

HDMI™
HIGH SPEED
with ETHERNET

Code **14.2750.50**

HDMI Adapters

High speed con ethernet
Spina / Presa rotante 180° 4k

HDMI™
HIGH SPEED
with ETHERNET

ULTRA HD	
3D	4K



Code **14.2850.87**

HDMI A Plug / HDMI mini C Plug



FULL HD
1080

HDMI™
STANDARD

Code **14.2850.90**

High speed with ethernet
90° "flat" 4K Plug / Socket

HDMI™
HIGH SPEED
with ETHERNET



ULTRA HD	
FLAT	4K

Code **14.2850.86**

High speed with ethernet
Socket / 4K Socket

HDMI™
HIGH SPEED
with ETHERNET



ULTRA HD	
3D	4K

Code **14.2850.81**

High speed with ethernet
90° 4K Plug / Socket

HDMI™
HIGH SPEED
with ETHERNET



ULTRA HD	
4K	

Code **14.2850.85**

High Speed HDMI cable with ethernet HDMI A -> HDMI mini D

High Speed HDMI cable with High End Ethernet with Micro D connector for UHD or Ultrabook video cameras; with ECCM function to avoid audio interferences.

ULTRA HD		BAND	LENGTH
4K	3D	18 Gbps	1,8m
	CAMERAS HD		



Plugs	A - D
Connectors	Plastics / Gold
Assembling	Die-cast
Sheath	PVC



OUTPUTS
2

HDMI SPLITTER CABLE

HDMI splitter cable, from HDMI male to 2x HDMI female that allows you to view the video signal on one monitor at a time.

Code **14.2750.35**

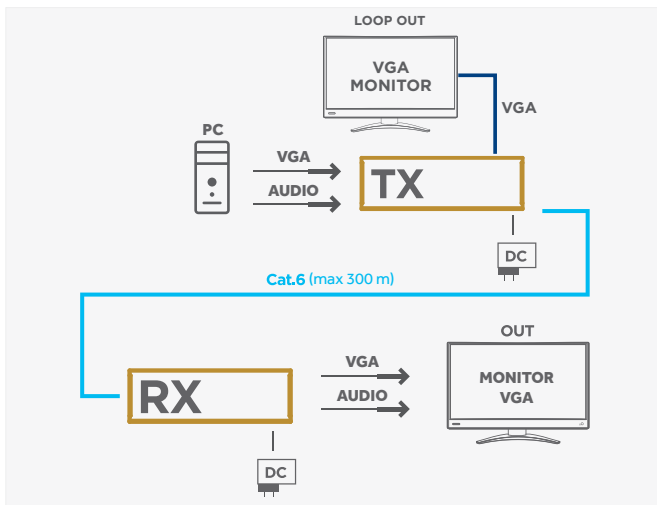
Code **14.2851.25**

VGA SIGNAL EXTENDER

Ethernet cable 300mt with audio



This Extender (transmitter kit + receiver) allows transmitting a VGA signal over long distances (up to 300mts) through a CAT 6 cable. The installation is quick and easy, the local unit connects to the source (eg PC or Mac); the remote unit connects to the monitor. The two units are connected through a CAT 6 network cable of the desired length. Equipped with VGA splitter for the connection to proximity monitors. Max resolution 1920x1200. "Gain" and "Peak" signal level controls. Also recommended for video surveillance systems. Dimensions Tx 100x65x25.5mms, Rx 81.5x43x23mms.



DISTANCE	FULL HD
300m	1920 x 1200

Code **59.6642.05**

VGA MONITOR CABLE

High quality VGA/SVGA cables (3+9, 15 Pin connected) for Monitors with VGA socket or for video projectors. 30AWG, tinned copper conductor with copper earth cable. Double shielding with aluminum foil and braid. External diameter 8mms with PVC coating. Double ferrite filter.



Plugs	M - M
Connectors	15 pin
Diameter	8mm external
Sheath	PVC
Shielding	Aluminum
Section	30AWG
Conductor	Copper
Packaging	Bag

Code	Length
59.6624.00	2 m
59.6626.05	3 m
59.6628.00	5 m
59.6630.00	10 m
59.6630.05	15 m
59.6630.10	20 m
59.6630.15	30 m
59.6630.20	50 m

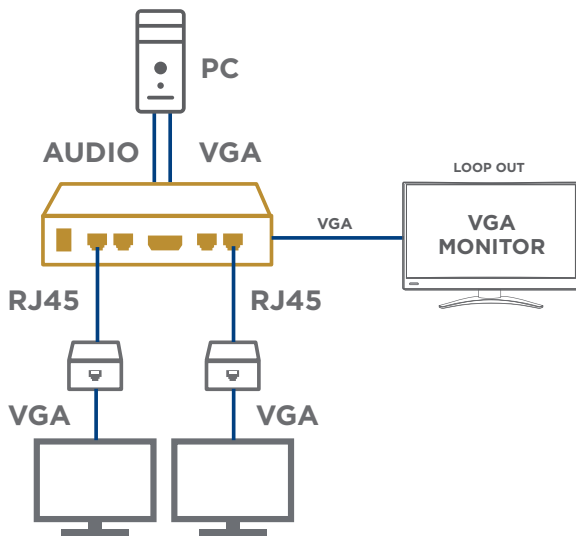


COPPER	30 AWG
--------	--------

VGA SPLITTER

Ethernet cable extender with video + audio signal (300mt)

This Extender/Splitter allows transmitting a VGA signal with audio over long distances (up to 300mts) through one or more CAT 6 cables. Installation is quick and easy, the local unit connects to the source (eg PC or Mac); the remote units (optional) connect to monitors. Transmitter and receivers are connected through a CAT 6 network cable of the desired length. VGA and audio output for monitor and proximity amplification system.



DISTANCE

300m

PASS-THROUGH
VGA
PORT



PORTS TRANSMITTERS

2

1

Code **59.6642.10**



PORTS TRANSMITTERS

4

1

Code **59.6642.15**

VGA receiver extender ethernet cable with audio

Receiver for VGA signal / splitter extenders with audio
59.6642.05 (spare part) / 59.6642.10 and 59.6642.15 (optional)

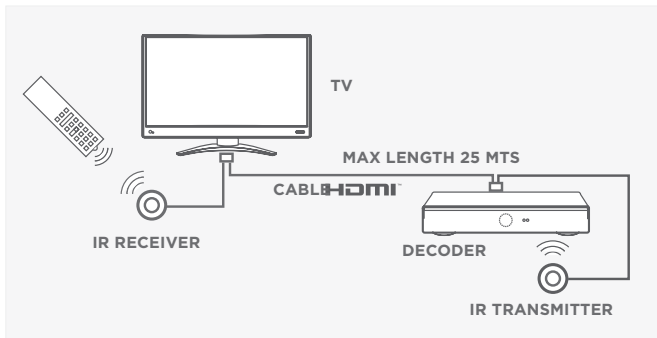


Code **59.6642.25**

REMOTE CONTROL REPEATERS



REMOTE CONTROL REPEATER IR TO HDMI CABLE



It controls an HDMI source out of range of the remote control, for example because it is inserted in a piece of furniture for aesthetic and/or safety reasons. It includes 2 HDMI plug/socket adapters with CEC/IR switch.

Compatible with Sat and DVB-T decoders.

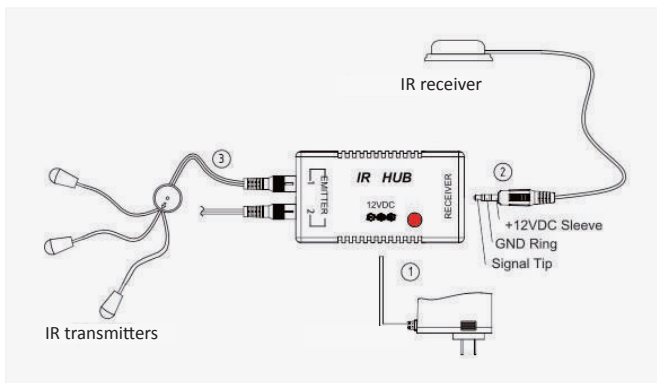
- IR frequency: 20 - 60KHz
- Max IR reception distance 7.5mts
- Max HDMI cable length 25mts

DISTANCE	FULL HD
300m	1920 X 1200

Code **58.7000.38**



REMOTE CONTROL REPEATER WITH 6 TRANSMITTERS



It controls 6 different devices (HD decoder, Blu-ray, etc.) out of reach of the remote control itself (for example, because it is inserted in a piece of furniture for aesthetic and/or safety reasons), through the exposure of an IR sensor. It includes 2 IR Tx with 3 sensors each. Compatible with satellite and DVB-T decoders.

- IR frequency: 20 - 60KHz
- Max IR reception distance 7.5mts
- Cable length 1.2mt

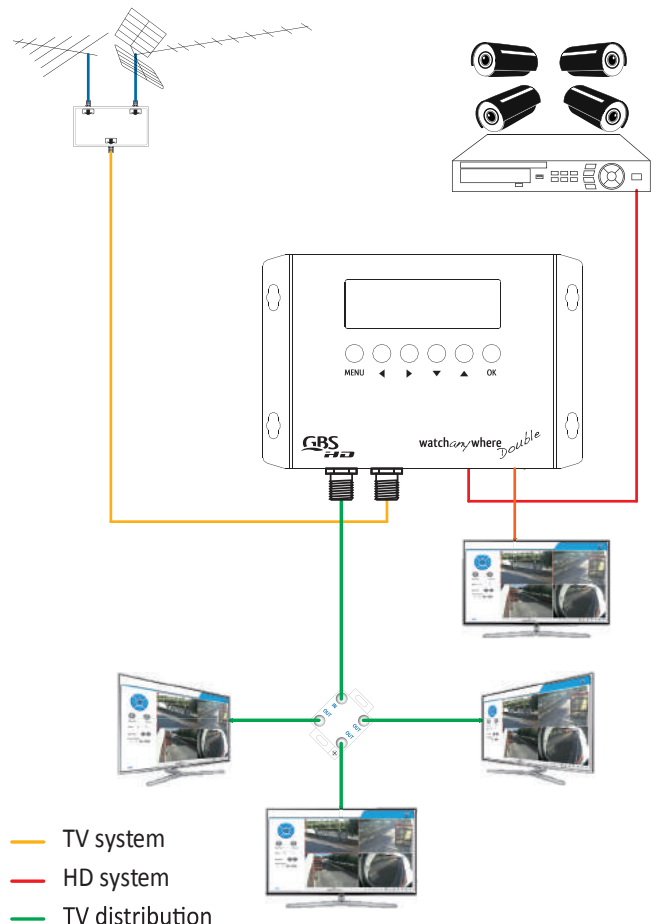
Code **58.7000.39**

Ideal for video surveillance - Distributes the HD signal on a coaxial cable

- High integration level, high performance, integrated design with full functions
- Single input modulator to convert the input source on a DVB-T channel (50 ~ 860 MHz)
- Standard COFDM modulation and H.264 encoding
- Multiple compatibility of the supported video formats, among which 576i(PAL)/480i(NTSC)/ 1080p
- Bandwidth: 6/7/8 MHz
- Frequency range: 50~860 MHz
- Output level of the adjustable RF signal: 70dBuV, 100dBuV, 1dBuV pass
- Modulation: QPSK / 16QAM / 64QAM
- Carriers 2K and 8K
- Audio: Stereo with MPEG-1 Audio Layer II encoding
- Compact and wall mountable
- Adjustable audio bitrate: 64K, 128K, 192K, 256K o 320K
- Adjustable video bitrate: 1M ~ 20M
- Adjustable modulation: QPSK, 16QAM, 64QAM
- Adjustable bandwidth: 6, 7 or 8 MHz
- Adjustable carrier: 2K or 8K
- Adjustable guard Interval: 1/4, 1/8, 1/16 or 1/32
- Adjustable code rate: 1/2, 2/3, 3/4, 5/6 or 7/8

AUDIO/VIDEO MODULATOR
DVB-T with HD input

watchanywhere Double



The world of high definition requires more and more integration, convergence and constant attention to the technical evolution. The boundaries between internet, networking and audio/video are thinner and thinner. We have developed HDPro, a line of HDMI products - extenders, matrixes, splitters - for high definition professionals. For business needs, offices, multimedia activities, but also specific products for installers ready to respond to the technical and market news and attentive to customer needs.

HDMI SIGNAL EXTENDERS

HDMI SIGNAL EXTENDER

100/120mt long distance Ethernet cable with remote control repeater



It amplifies the HDMI signal, sensitive to dispersion due to the length of the cables and transfers it to a maximum distance of 120mts on a cat. 6 cable (100mts on a cat.5e cable). It supports Full HD 1080p resolutions. It can be cascade installed with a splitter and incorporates an IR remote control repeater.

120mt LONG DISTANCE

FULL HD

1080

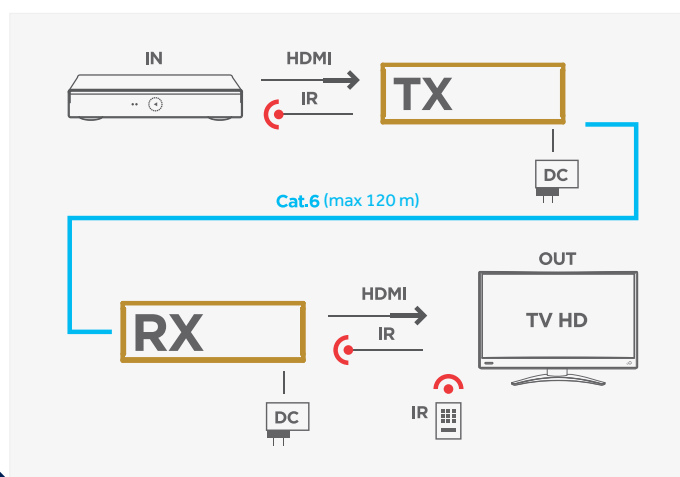
IR

BAND

10,2 Gbps

DEEP COLOR

24bit



- Supports 2 uncompressed LPCM audio channels
- Supports IR 20 - 60KHz remote control repeater
- 50/60Hz vertical frequency range
- Supports HDMI cable max 5mt input / 7mt output
- Dimensions 70x59x16 mms

HDMI SIGNAL EXTENDER

TCP/IP Extender KVM+USB+IR distance 120mt

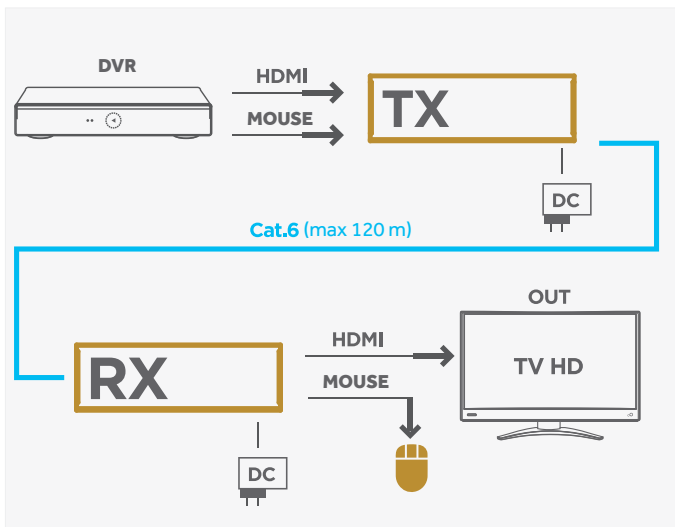


Consisting of a transmitter and a receiver, it allows you to amplify the HDMI signal and transfer it up to a max distance of 120mts using a Cat 6 LAN cable. It supports Full HD resolutions up to 1080p; it uses 1 single cat.6 network cable. Ideal for video surveillance systems, security control centers, projection rooms, conference rooms, fairs, offices in general, etc. KVM function: two USB inputs on the Rx and a USB output on the TX allow the remote control of keyboard and mouse. It supports IP protocol. Using a network switch or a router with integrated switch it is possible to use up to 253 multiple receivers. It integrates the remote control for IR remote.

FULL HD	BAND	DEEP COLOR
1080	6,75 Gbps	24bit

120mt LONG DISTANCE

IDEAL FOR VIDEOSURVEILLANCE



- Max resolution 1080p
- Bandwidth: 2.25Gbps per channel (6.75Gbps totally)
- Deep color 8 bits per channel (24 bits totally)
- 2 LPCM uncompressed audio channels
- IR repeater
- Supports HDMI cable max 3mts input/output

It allows the product to be used with multiple receiver units (code 14.2800.63)

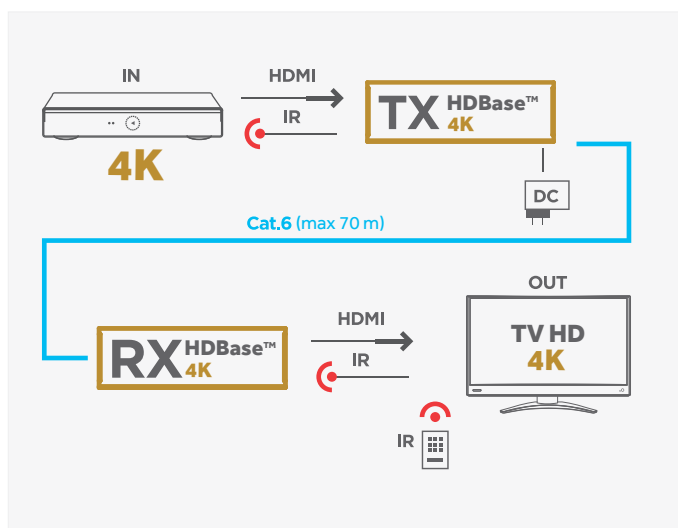
HDMI SIGNAL EXTENDERS

HDMI SIGNAL EXTENDER

HDBaseT™ 4K@60Hz on a 70mt “POC” Ethernet cable with remote control repeater



It amplifies the HDMI signal, sensitive to the dispersion due to the length of the cables and transfers it to a maximum distance of 70mts with a 4K 60Hz resolution on a cat. 6 cable. Thanks to the “POC” (PowerOverCable) technology, the receiver is powered directly by the RJ45 network cable connected to the transmitter. It can be cascade installed with a splitter and incorporates a two-way IR remote control repeater to remotely manage satellite decoders and Blu Ray players. It supports 3.4Gbps bandwidth per channel (10.2Gbps in total). It supports 12 bits per channel deep color (36 bits in total). It supports HDBaseT and integrates POC technology.



- Supports 4Kx2K@60Hz up to 70mts
 - Supports HDMI 2.0
 - Supports HDCP 2.2
 - Auto adjusted and auto equalized
 - Supports PCM audio
 - Supports 8mt HDMI input and output cables
 - Supports IR 20 - 60KHz two-way remote control repeater
 - Supports two-way RS232 control
 - 50/60Hz vertical frequency range
 - Dimensions 109.5x87x23 mms
- POC (Power Over Cable) technology: it powers the receiver through the Ethernet extension cable.**

HDMI SIGNAL EXTENDER

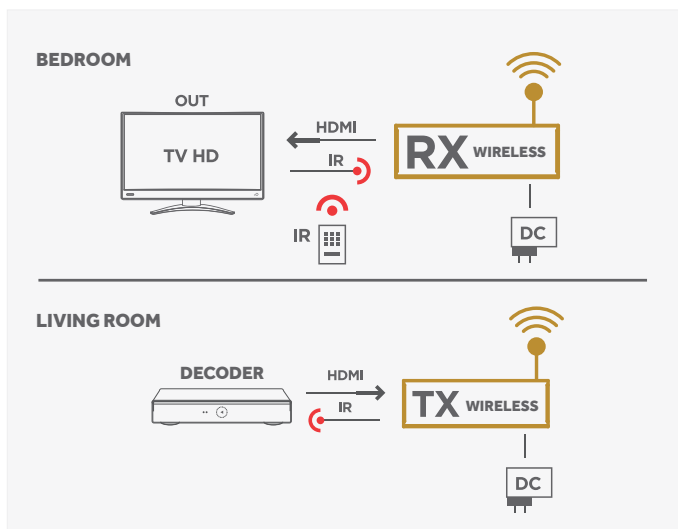
Wireless 5,8GHz 1080p 50mts with remote control repeater



WIRELESS
5,8GHz

It amplifies the wireless HDMI signal to a maximum distance of 50mts (Note: without any obstacles). It supports Full HD 1080p; the 5.8GHz wireless frequency improves the signal quality and prevents interferences with other devices. Ideal for sending the HD signal in a different room than the one of the source. It incorporates a remote control repeater.

DISTANCE	FULL HD	BAND	DEEP COLOR
50m	1080	IR	24bit



- Supports 1080p Resolution
- Supports stereo audio
- Supports IR 20 - 60KHz remote control repeater
- 50/60Hz vertical frequency range
- Supports HDMI cable max 5mts in input/output
- Dimensions 95x121x20 mms

HDMI SWITCHES AND SPLITTERS

CONTROLLER

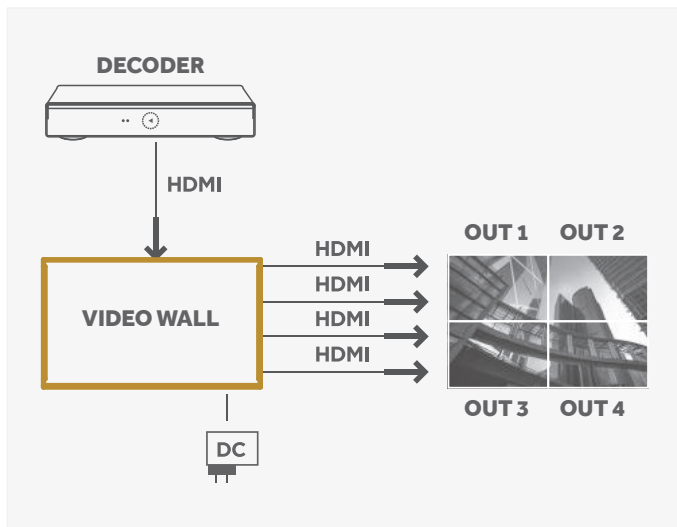
HDMI 2x2 Video Wall



One input and 4 HDMI outputs. 2x2 2-mode Video Wall Function: “on the wall” with the image divided on 4 screens and the possibility, using displays of adequate dimensions, to reach considerable image dimensions; “Clone”, with the same image on the 4 screens. Product selection button. It supports Dolby Digital and DTS audio. 3.5mm stereo audio output. It can be installed on the wall.

DISTANCE	FULL HD	BAND	DEEP COLOR
50m	1080	6,75 Gbps	24bit

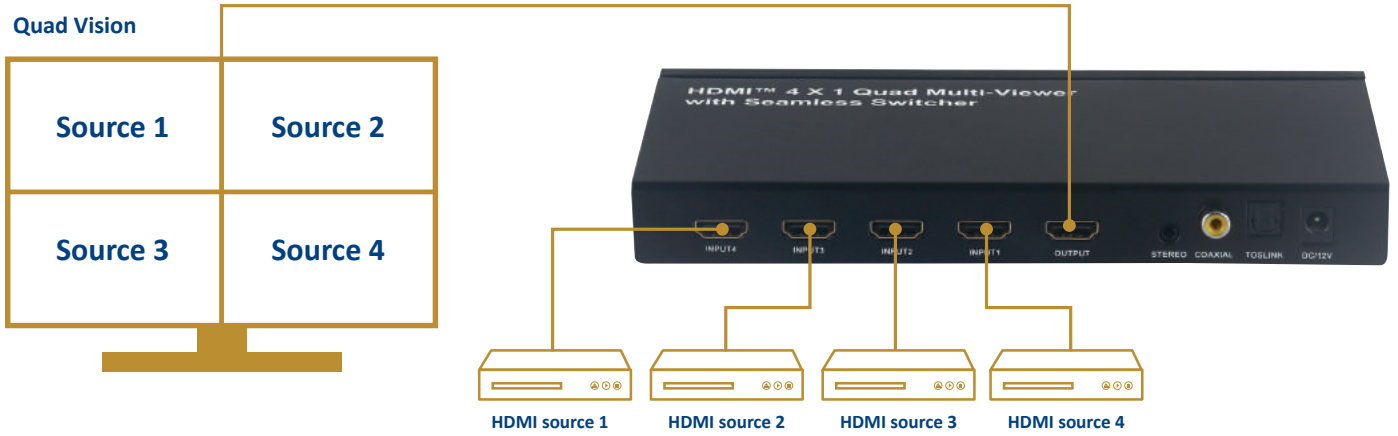
OUTPUTS
4
4X4 VIDEO WALL



- Supports 1080p Resolution
- Supports 2 uncompressed LPCM audio channels
- 2X2 2-mode Video Wall function
- Supports HDMI cable max 5mts input / 7mts output
- Inputs 1
- Outputs 4
- Dimensions 214x109x25 mms

HDMI SWITCH

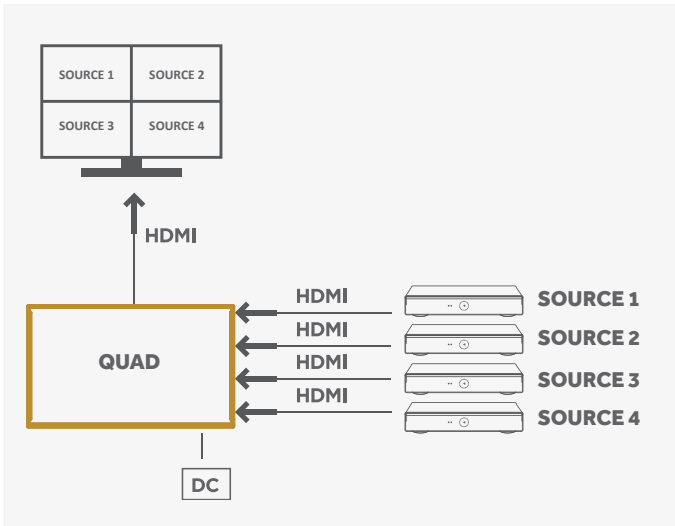
4x 1080p Inputs with Quad Screen function



4 HDMI inputs and one HDMI output. 4-mode Quad Vision function: 1 full screen source; 1 main source and 3 previews; 2 half-screen sources; 4x 1/4 screen sources. Selection buttons on the switch and supplied remote control. It supports Dolby Digital and DTS audio.

FULL HD	BAND	DEEP COLOR
1080	6,75 Gbps	24bit

QUAD VISION



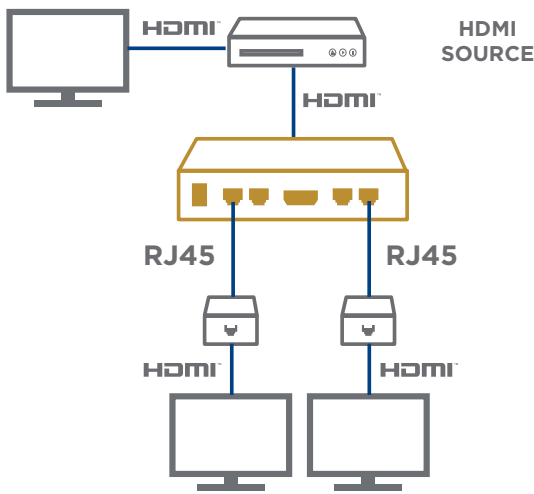
- Supports 1080p Resolution
- Supports 2 uncompressed LPCM audio channels
- IR remote control supplied
- 4-mode Quad Vision function
- Supports HDMI cable max 5mts input / 5mts output
- Dimensions 230x100x22 mms
- 3.5mm stereo headphone output
- Toslink + Coax outputs for amplifier/Home Cinema

RJ45 HDMI SPLITTER

HDMI SPLITTER

“POC” Ethernet cable with a pass-through HDMI port and remote control repeater

It distributes and amplifies the HDMI signal on multiple RJ45 outputs. The included receivers convert the signal to HDMI for the connection to the displays. It supports Full HD 1080p up to 40mts with cat.6 cables. It supports POC (Power Over Cable): the receivers do not need power. It integrates an IR repeater to control the HDMI source and HDMI pass-through splitter for the connection of a proximity HD display. Integrated EDID switch.



- Supports 2 uncompressed LPCM audio channels
- Supports IR 20 - 60KHz remote control repeater
- Pass-through HDMI splitter (Loopout)
- Integrated EDID switch
- Supports HDMI cable max 5mts input / 7mts output

Pass-through HDMI Port

DISTANCE	FULL HD	IR	POC	EDID	BAND	DEEP COLOR
40m	1080	IR	POC	EDID	6,75 Gbps	24bit



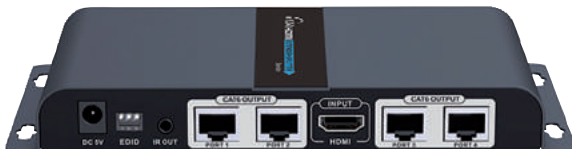
TX | 158x62x22 mms



RX | 72x67x23 mms

OUTPUTS
2

Code **14.2810.26**



TX | 190x96x24 mms



RX | 72x67x23 mms

OUTPUTS
4

Code **14.2810.33**



TX | 276x96x23 mms



RX | 72x67x23 mms

OUTPUTS
8

Code **14.2810.36**

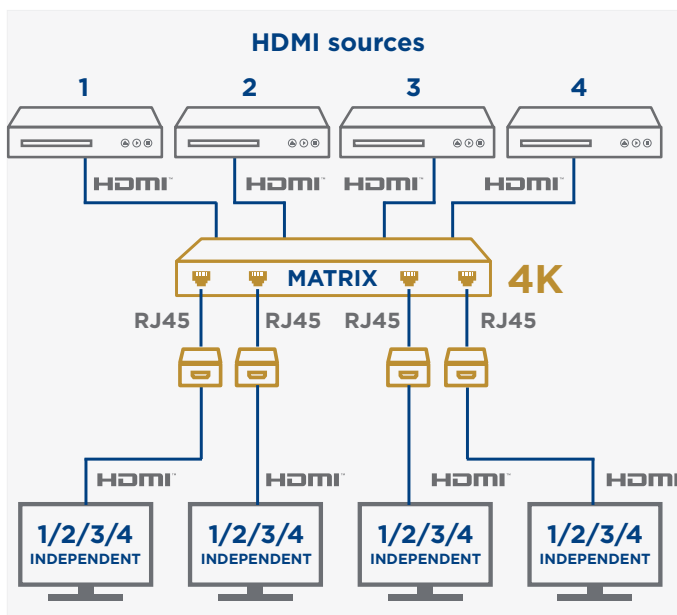
MATRIX HDMI RJ45

Ethernet cable 4 Inputs 4 Outputs “True Matrix” 4K@60hz
and remote control repeater



True Matrix 4x4 with independent outputs: any input/output combination is possible. It amplifies the HDMI signal to a maximum distance of 40mts. It supports 4K 60Hz; it uses 1 single cat. 6 or 7 network cable per exit. It solves the problem of passing HDMI cables into the existing cable covers. It incorporates an IR remote control repeater.

DISTANCE 120m	ULTRA HD 4K	BAND 18 Gbps	DEEP COLOR 24bit	IR	OUTPUTS 4	INPUTS 4
-------------------------	-----------------------	------------------------	----------------------------	-----------	---------------------	--------------------



- 4 independent inputs and 4 independent outputs
- Supports HDBitT and TCP/IP
- Supports IR 20 - 60KHz remote control repeater
- 50/60Hz vertical frequency range
- Supports HDMI cable max 5mts input / 5mts output
- 4 HDMI receivers included

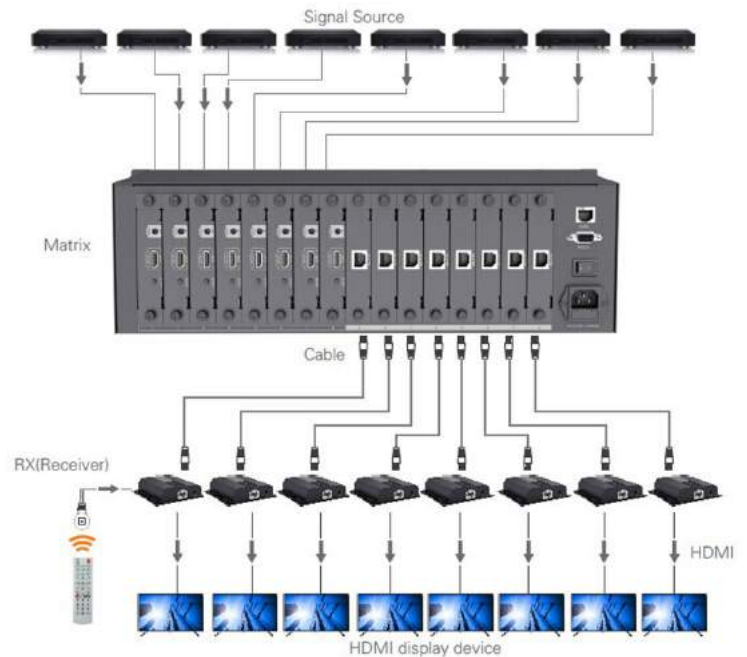
HDMI MATRIX

MATRIX HDMI RJ45

Ethernet cable with “True Matrix” modular outputs and remote control repeater

Modular True Matrix with independent outputs: any input/output combination is possible. It amplifies the HDMI signal to a maximum distance of 120mts. It supports Full HD 1080p; it uses 1 single cat. 6 or 7 network cable per exit. It incorporates an IR remote control repeater.

- Supports HDBitT and TCP/IP
- Supports IR 20 - 60KHz remote control repeater
- 50/60Hz vertical frequency range
- Supports HDMI cable max 5mts input / 7mts output



120mt LONG DISTANCE

IR

FULL HD
1080

RJ45

CONTROLLABILE DA PC
VIA TCP/IP



X 4

↖ ↗
↙ ↘ 270x200x133 mms

INPUTS	OUTPUTS	EXTENDERS
4	4	4

Code 14.2810.03



X 8

↖ ↗
↙ ↘ 483x240,5x133 mms

INPUTS	OUTPUTS	EXTENDERS
8	8	8

Code 14.2810.04

CATALOG *PRO* 2018



OVER 300 PAGES

ABOUT TECHNOLOGICAL PRODUCTS DEDICATED TO VAT OWNERS AND INSTALLERS



gbconline.it - [find us on facebook](#)

DEALER STAMP



Copyright Kon.El.Co. 2018. All rights reserved. All brands and product names mentioned are trademarked or registered trademarks of their respective companies. The photos are only representative. The technical and/or aesthetic characteristics of the products may undergo variations without prior notice. All trademarks shown are property of their respective owners.



Kon.El.Co. S.p.A. Piazza Don Mapelli, 75 - 20099 - Sesto San Giovanni - Milano - ITALY