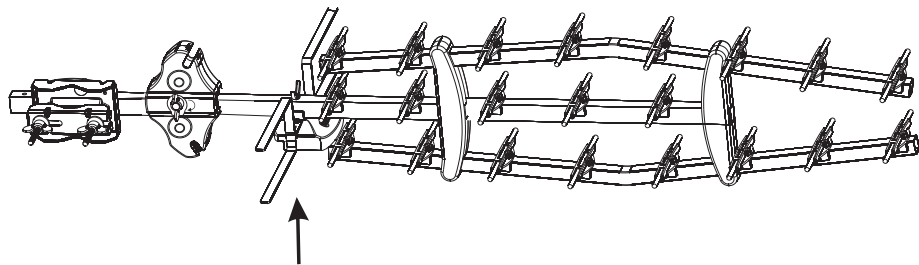
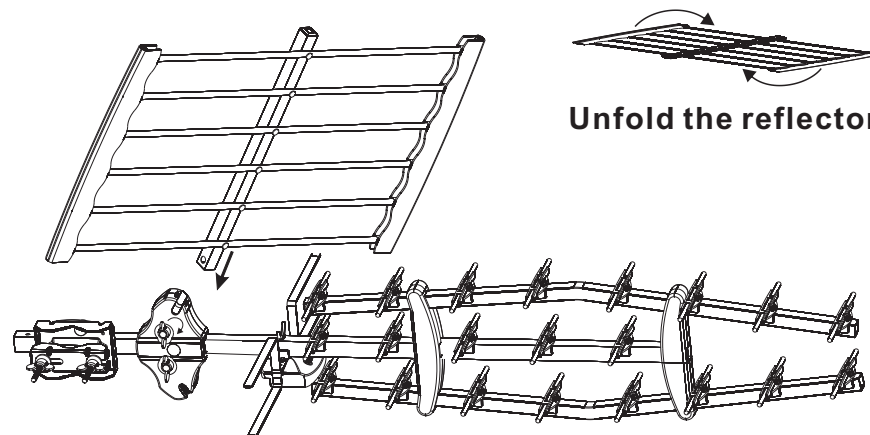


①



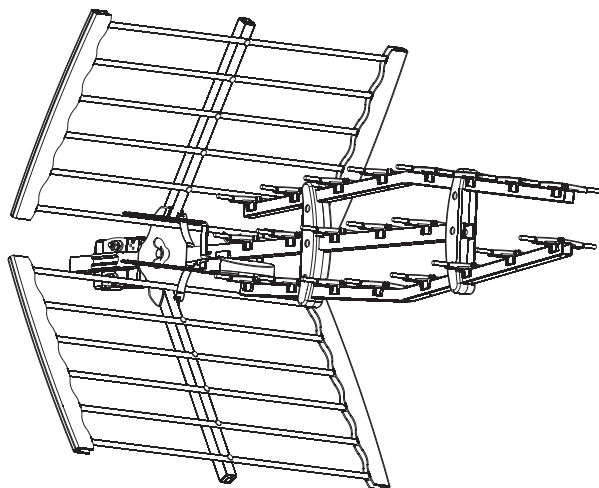
**Install the dipole**

②



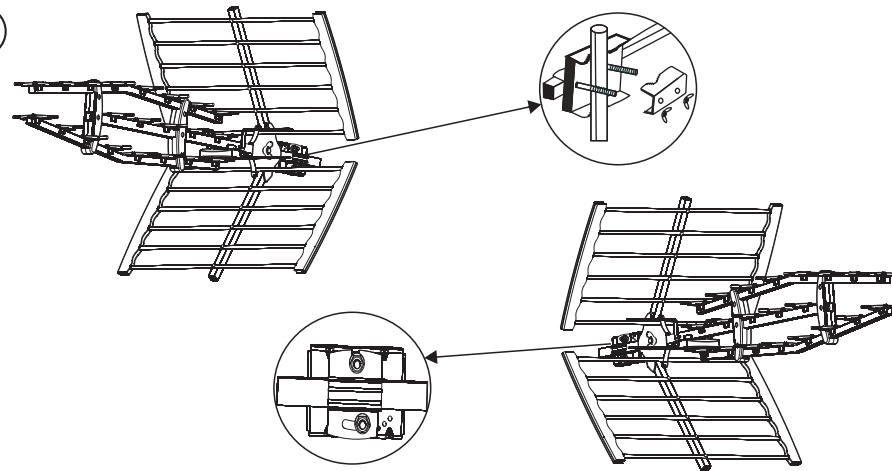
**Install the reflectors into the supporter**

③



**Install the reflectors completely**

③



**Mount the bracket to complete the installation**